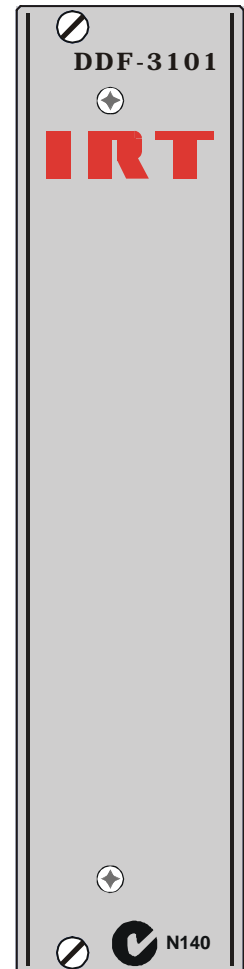
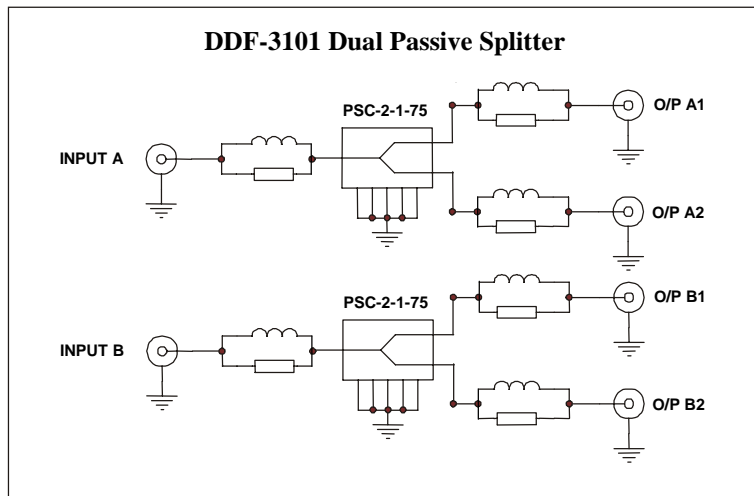


Dual Passive Splitter Type DDF-3101



Features:

- **Dual 2 way RF splitters.**
- **Operates in the frequency range of 0.25 MHz to 300 MHz.**
- **Suitable for 34/45/270 Mb/s data rates.**
- **No power required – totally passive.**
- **Connections made by BNC connectors.**
- **May be mounted in the same frame as other IRT Eurocards including VDA's, ADA's, detectors and processors.**

General:

The DDF-3101 is a dual 2 way RF splitter in a standard 3 RU Eurocard format. As such, it can be mounted in the same frame as other IRT Eurocards including VDA's, ADA's, detectors and processors.

It is primarily intended for use as a passive splitter for splitting data streams.

Each of the RF splitters is rated for 250 kHz to 300 MHz operation and is suitable for 34, 45 or 270 Mb/s data rates.

The DDF-3101 is a passive unit that requires no power to operate.

The DDF-3101 comes with a rear connector panel comprising of 75Ω BNC input and output connectors.

DDF-3101 Technical Specifications

(Preliminary)

Input / output:

Number	2
Type	75 Ohm
Format	Passive 2 way split

Performance:

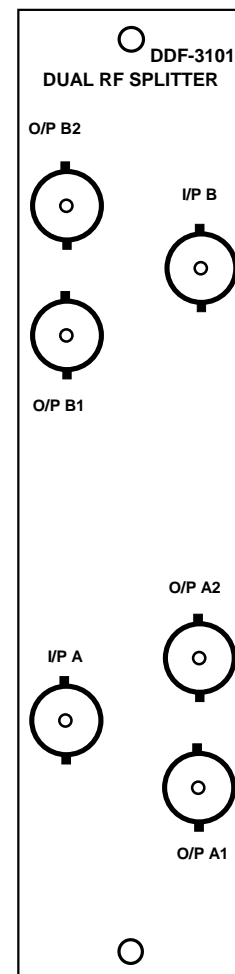
Frequency range	0.25 to 300 MHz
Isolation	0.25-2.5 MHz >15 dB
	2.5-150 MHz >15 dB
	150-300 MHz >15 dB
Insertion loss	above 3 dB
	0.25-2.5 MHz <0.75 dB
	2.5-150 MHz <2.0 dB
	150-300 MHz <2.0 dB
Phase unbalance	
	.25-2.5 MHz <2.0°
	2.5-150 MHz <3.0°
	150-300 MHz <5.0°
Amplitude unbalance	
	.25-2.5 MHz <0.15 dB
	2.5-150 MHz <0.2 dB
	150-300 MHz <0.3 dB
Maximum power dissipation	1 W

Connectors: BNC.

Power requirement: Nil – totally passive.

Other:

Temperature range	0 - 50° C ambient.
Mechanical	Suitable for mounting in IRT 19" rack chassis with input and output connections on the rear panel.
Finish:	Front panel Grey enamel, silk-screened black lettering & red IRT logo.
	Rear assembly Detachable silk-screened PCB with direct mount connectors to Eurocard and external signals.
Dimensions	6 HP x 3 U x 220 mm IRT Eurocard.
Supplied accessories	Rear connector assembly



Due to our policy of continuing development, these specifications are subject to change without notice.

Detailed specifications available from:

Manufacturer:
IRT Electronics Pty Ltd

26 Hotham Parade
ARTARMON
N.S.W. 2064 AUSTRALIA
Phone: +61 2 9439 3744
Fax: +61 2 9439 7439
Email: sales@irtelectronics.com

Local Agent:

IRT can be found on the Internet at:
<http://www.irtelectronics.com>