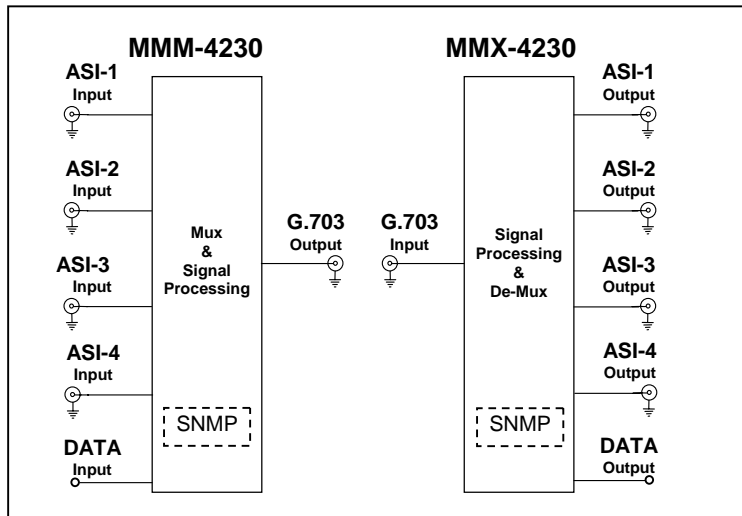


4 ASI to G.703 MUX & DeMUX Types MMM-4230 & MMX-4230

Functional Diagram:



Features:

- Up to 4 ASI and 1 Data stream on one 45 Mb/s G.703 link
- Input rate stuffing to 45 Mb/s G.703 rate
- Selectable input maximum data rates
- Automatic Input equalisation up to 300m
- Suitable for Single Frequency Network (SFN) use
- Optional SNMP plug-in monitoring and control module
- Eurocard format

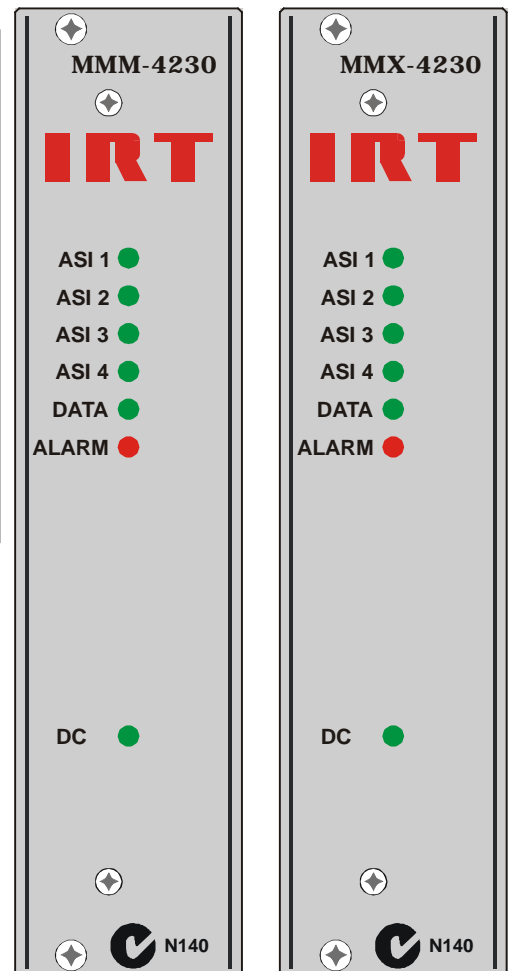
General:

The MMM-4230 and MMX-4230 are part of a family of data transcoders for converting between the commonly used MPEG2 Transport Stream formats for video distribution in the broadcast industry.

With the MMM-4230 up to four ASI and one RS422 data signals can be multiplexed together and converted into an framed or unframed DS3 signal for transmission down a single 45 Mb/s G.703 line.

The MMX-4230 converts and demultiplexes the 45 Mb/s G.703 signal back into the original four ASI signals (at their original rates) and the RS422 data signal.

An on board switch on the MMM-4230 sets the maximum data rates for each ASI input allowing the efficient use of the available bandwidth and for protection against overuse of the bandwidth by the other channels. Total maximum data rate up to 43.5 Mb/s is allowed. Temporary packet stuffing is used to automatically bring the rate up to 45 Mb/s.



Inputs are automatically equalised for lengths of up to 300m of Belden 8281 or equivalent cable.

RS422 9600 Baud uni-directional data may also be sent on the same link.

Front panel indication and relay alarm on the MMM-4230 transmitter shows if there is an input data rate violation. Corresponding alarm on the MMX-4230 receiver shows a loss of G.703 input.

An optional Simple Network Management Protocol (SNMP) plug-in module is available for remote monitoring of input and output status, control and alarm states.

The MMM-4230 and MMX-4230 are designed to fit IRT's standard Eurocard frames as well as IRT's 4000 series frame for use with IRT's SNMP system and may be used alongside any other of IRT's analogue or digital Eurocards.

Note: Also available in a 34 Mb/s G.703 version

Technical Specifications

MMM-4230:

Inputs:

Type 1

Maximum Data Rate

Channel Data Rate Assignments
(for 188 byte packet length signals)

4 x ASI-C 75Ω, 800 mVp-p, BNC connector.
40.1 Mb/s (for 188 byte packet),
43.5 Mb/s (for 204 byte packet).

I/P1	I/P2	I/P3	I/P4 (Mb/s)	
40	+	0	+	0
35	+	5	+	0
30	+	10	+	0
25	+	15	+	0
20	+	20	+	0
30	+	5	+	5
25	+	10	+	5
20	+	15	+	5
20	+	10	+	10
15	+	15	+	10
25	+	5	+	5
20	+	10	+	5
15	+	15	+	5
15	+	10	+	10
10	+	10	+	10

Type 2

RS422 9600 Baud Uni directional.

Output:

Type

Electrical Characteristics

Data Rate

1 x G.703, 75Ω BNC connector.
B3ZS encoded.
44.736 Mb/s.

Alarm Output:

MMX-4230:

Input:

Type

Electrical Characteristics

Data Rate

Contact closure on error, loss of power.

1 x G.703, 75Ω BNC connector.
B3ZS encoded.
44.736 Mb/s.

Outputs:

Type 1

Data Rate

Type 2

4 x ASI-C 75Ω, 800 mVp-p, BNC connector.
same as MMM-4230 input rate.
RS-422 9600 Baud Uni directional.

Alarm Output:

Contact closure on loss of G.703 input, loss of power.

Power Requirements

Power consumption

28 Vac CT (14-0-14) or ±16 Vdc.
8 VA.

Other

Temperature range

Mechanical

0 - 50° C ambient.

Suitable for mounting in IRT 19" rack chassis with input, output and power connections on the rear panel.

Finish

Front panel

Rear assembly

Grey, silk-screened black lettering & red IRT logo.

Dimensions

Optional Accessories

Detachable silk-screened PCB with direct mount connectors to Eurocard and external signals.

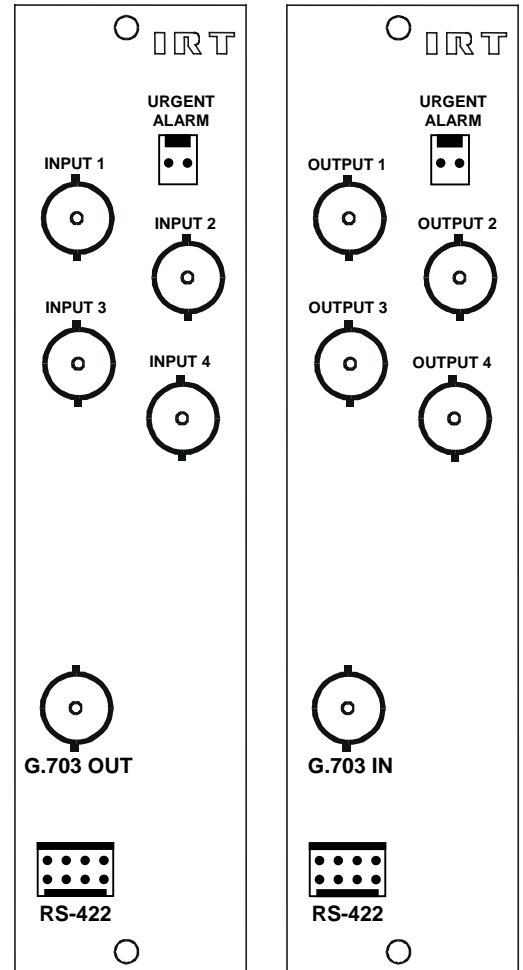
6 HP x 3 U x 220 mm IRT Eurocard.

SNMP plug-in module for use with 4000 series frame fitted with SNMP "Agent".

NOTE:

Also available in a 34 Mb/s G.703 version - Contact IRT Electronics for details.

Due to our policy of continuing development, these specifications are subject to change without notice.



Detailed specifications available from:

Manufacturer:

IRT Electronics Pty Ltd

26 Hotham Parade

ARTARMON

N.S.W. 2064 AUSTRALIA

Phone: +61 2 9439 3744

Fax: +61 2 9439 7439

Email: sales@irtelectronics.com

Local Agent:

IRT can be found on the Internet at:

<http://www.irtelectronics.com>