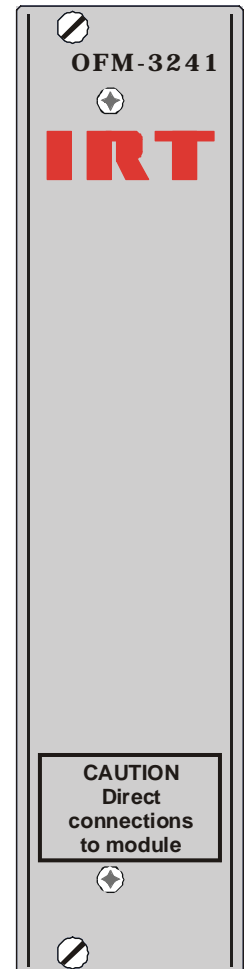
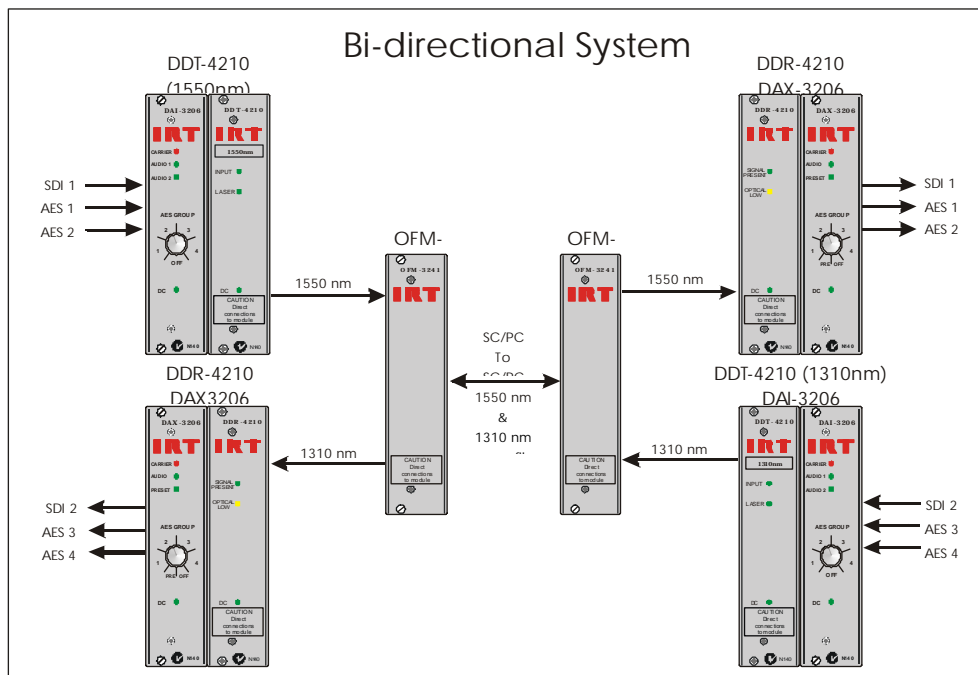
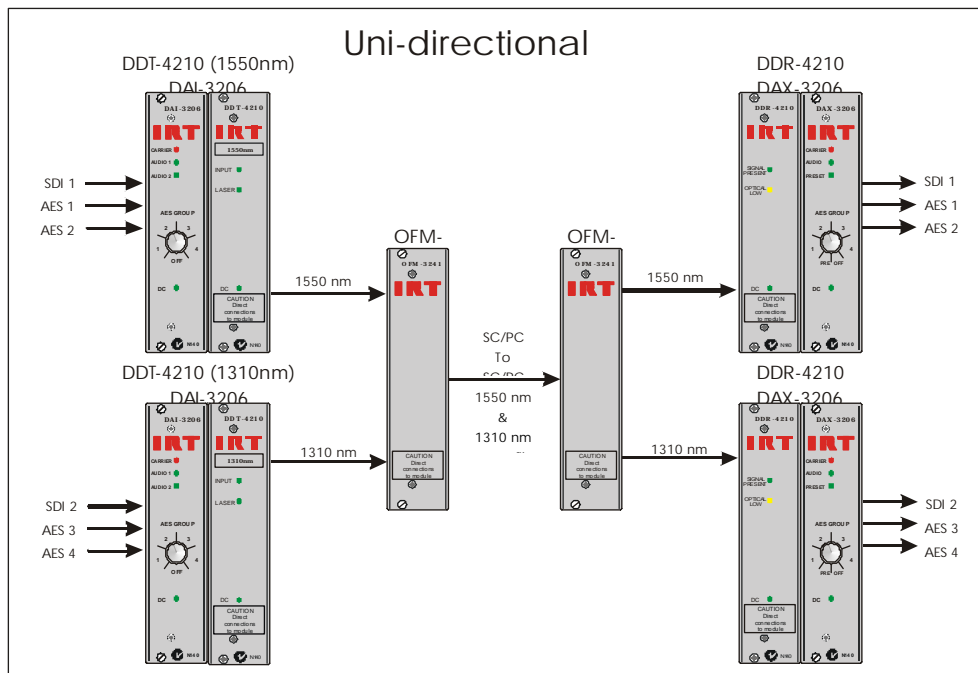


Fibre Optic Multiplexer/Demultiplexer Type OFM-3241



The OFM-3241 is an optical wavelength division multiplexer / demultiplexer (WDM) for combining or separating two optical signals of 1310nm and 1550nm wavelengths on the one fibre. Either uni-directional or bi-directional signals on the fibre can be accommodated using the same device.

The examples given above are to illustrate the principles involved. Additional audio channels may be added as required by linking more DAI & DAX-3206 modules. The OFM-3241 works equally as well with IRT's other range of fibre optic transmitters and receivers.

The OFM-3241 is designed to mount in IRT's standard 1 RU frame and 4000 series frames.

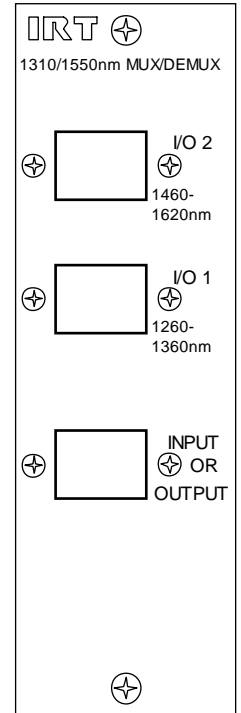
OFM-3241 Technical Specifications

OFM-3241:

Type WDM multiplexer / demultiplexer.
Wavelengths 1310 nm & 1550 nm \pm 20 nm.
Fibre Single mode.
Connector type SC/PC.
Insertion loss < 0.5 dB @ 1550 nm.
< 0.5 dB @ 1310 nm.
Isolation > 20 dB.

Other

Temperature range 0 - 50° C ambient
Mechanical Suitable for mounting in IRT 19" 1RU or 4000 series 3RU rack chassis with input and output connections on the rear panel
Finish Front panel Grey background, black lettering & red IRT logo
Rear assembly Common connection mounted on bracket from main PCB.
Dimensions 6 HP x 3 U x 220 mm IRT Eurocard



Due to our policy of continuing development, these specifications are subject to change without notice.

Detailed specifications available from:

Manufacturer:
IRT Electronics Pty Ltd
26 Hotham Parade
ARTARMON
N.S.W. 2064 AUSTRALIA
Phone: +61 2 9439 3744
Fax: +61 2 9439 7439
Email: sales@irtelectronics.com

Local Agent:

IRT can be found on the Internet at:
<http://www.irtelectronics.com>