

# Product Specifications

195PNM-CR

Type N Male for CNT-195 braided cable



## CHARACTERISTICS

### General Specifications

---

Interface	N Male
Body Style	Straight
Brand	CNT <sup>®</sup>

### Electrical Specifications

---

Operating Frequency Band	0 – 6000 MHz
Cable Impedance	50 ohm
Connector Impedance	50 ohm
RF Operating Voltage, maximum (vrms)	353.00 V
dc Test Voltage	1000 V
Outer Contact Resistance, maximum	0.25 mOhm
Inner Contact Resistance, maximum	1.00 mOhm
Insulation Resistance, minimum	5000 MOhm
Average Power	150.0 W @ 900 MHz
Peak Power, maximum	2.50 kW
Insertion Loss, typical	0.05 dB

[www.commscope.com/andrew](http://www.commscope.com/andrew)

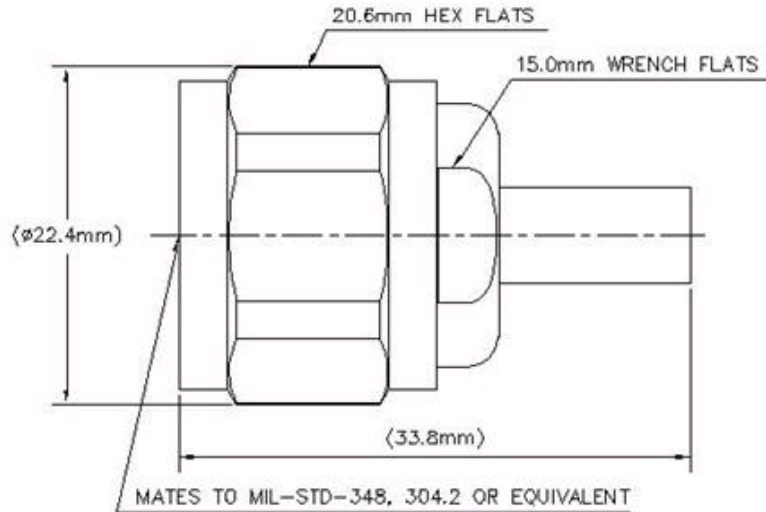
©2011 CommScope, Inc. All rights reserved.

All trademarks identified by ® or ™ are registered trademarks or trademarks, respectively, of CommScope. All specifications are subject to change. See [www.commscope.com/andrew](http://www.commscope.com/andrew) for the most current information.

# Product Specifications

195PNM-CR

## Outline Drawing



## Mechanical Specifications

Outer Contact Plating	Trimetal
Inner Contact Plating	Silver
Outer Contact Attachment Method	Crimp
Inner Contact Attachment Method	Solder
Interface Durability	500 cycles
Interface Durability Method	IEC 61169-16:9.5
Connector Retention Tensile Force	134 N   30 lbf
Connector Retention Torque	0.17 N-m   0.13 ft lb
Insertion Force	28.00 N   6.29 lbf
Insertion Force Method	IEC 61169-16:9.3.5
Pressurizable	No
Coupling Nut Proof Torque	1.70 N-m   1.25 ft lb
Coupling Nut Proof Torque Method	IEC 61169-16:9.3.6
Coupling Nut Retention Force	450.00 N   101.16 lbf
Coupling Nut Retention Force Method	IEC 61169-16:9.3.11

## Dimensions

Nominal Size	0.195 in
Diameter	22.35 mm   0.88 in
Length	33.81 mm   1.33 in
Weight	40.32 g   0.09 lb

[www.commscope.com/andrew](http://www.commscope.com/andrew)

# Product Specifications

195PNM-CR

Width 20.62 mm | 0.81 in



## Environmental Specifications

Operating Temperature	-40 °C to +85 °C (-40 °F to +185 °F)
Storage Temperature	-65 °C to +125 °C (-85 °F to +257 °F)
Water Jetting Test Mating	Mated
Water Jetting Test Method	IEC 60529:2001, IP65
Mechanical Shock Test Method	IEC 60068-2-27
Climatic Sequence Test Method	IEC 60068-1
Damp Heat Steady State Test Method	IEC 60068-2-3
Thermal Shock Test Method	IEC 60068-2-14
Vibration Test Method	IEC 60068-2-6
Corrosion Test Method	IEC 60068-2-11

## Standard Conditions

Attenuation, Ambient Temperature	20 °C   68 °F
Average Power, Ambient Temperature	40 °C   104 °F
Average Power, Inner Conductor Temperature	100 °C   212 °F

## Return Loss/VSWR

Frequency Band	VSWR	Return Loss (dB)
0-3000 MHz	1.06	31.00
3000-6000 MHz	1.17	22.00

## Regulatory Compliance/Certifications

Agency	Classification
RoHS 2002/95/EC	Compliant by Exemption
China RoHS SJ/T 11364-2006	Above Maximum Concentration Value (MCV)
ISO 9001:2008	Designed, manufactured and/or distributed under this quality management system



## \* Footnotes

Insertion Loss, typical  $0.05\sqrt{\text{freq (GHz)}}$  (not applicable for elliptical waveguide)

[www.commscope.com/andrew](http://www.commscope.com/andrew)

©2011 CommScope, Inc. All rights reserved.  
All trademarks identified by ® or ™ are registered trademarks or trademarks, respectively, of CommScope. All specifications are subject to change.  
See [www.commscope.com/andrew](http://www.commscope.com/andrew) for the most current information.

page 3 of 3  
6/13/2011