

# Product Specifications

540EZNMV2

Type N Male EZfit<sup>®</sup> for 1/2 in FXL-540 cable



## CHARACTERISTICS

### General Specifications

---

Interface	N Male
Body Style	Straight
Brand	EZfit <sup>®</sup>
Mounting Angle	Straight

### Electrical Specifications

---

Connector Impedance	50 ohm
Operating Frequency Band	0 – 8800 MHz
Cable Impedance	50 ohm
3rd Order IMD	-115 dBm @ 1890 MHz
3rd Order IMD Test Method	Two +43 dBm carriers
RF Operating Voltage, maximum (vrms)	990.00 V
dc Test Voltage	2000 V
Outer Contact Resistance, maximum	0.30 mOhm
Inner Contact Resistance, maximum	2.00 mOhm
Insulation Resistance, minimum	5000 MOhm
Average Power	0.6 kW @ 900 MHz
Peak Power, maximum	10.00 kW
Insertion Loss, typical	0.05 dB
Shielding Effectiveness	-110 dB

[www.commscope.com/andrew](http://www.commscope.com/andrew)

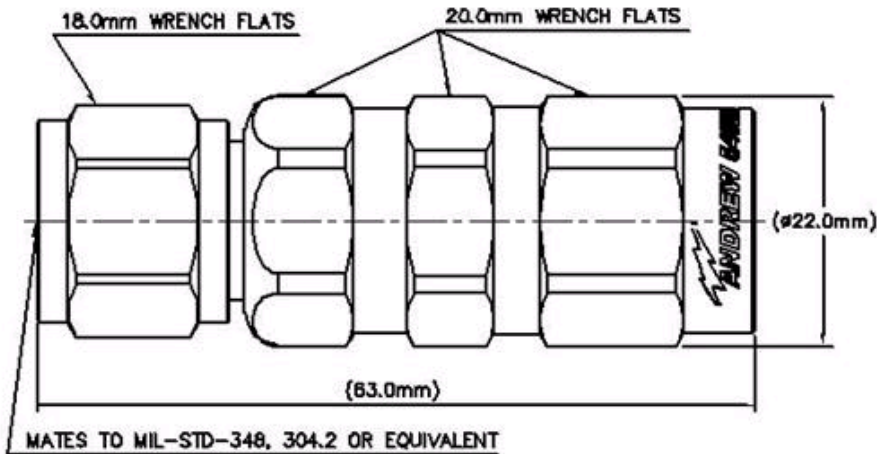
©2010 CommScope, Inc. All rights reserved.

All trademarks identified by ® or ™ are registered trademarks or trademarks, respectively, of CommScope. All specifications are subject to change. See [www.commscope.com/andrew](http://www.commscope.com/andrew) for the most current information.

# Product Specifications

540EZNMV2

## Outline Drawing



## Mechanical Specifications

Outer Contact Attachment Method	Clamp   Tool-flare
Inner Contact Attachment Method	Captivated
Outer Contact Plating	Trimetal
Inner Contact Plating	Silver
Attachment Durability	25 cycles
Interface Durability	500 cycles
Interface Durability Method	IEC 61169-16:9.5
Connector Retention Tensile Force	1112 N   250 lbf
Connector Retention Torque	3.95 N-m   35.00 in lb
Insertion Force	66.72 N   15.00 lbf
Insertion Force Method	MIL-C-39012C-3.12, 4.6.9
Pressurizable	No
Coupling Nut Proof Torque	4.52 N-m   40.00 in lb
Coupling Nut Retention Force	444.82 N   100.00 lbf
Coupling Nut Retention Force Method	MIL-C-39012C-3.25, 4.6.22

## Dimensions

Nominal Size	1/2 in
Diameter	22.00 mm   0.87 in
Length	62.60 mm   2.46 in
Weight	79.17 g   0.17 lb

[www.commscope.com/andrew](http://www.commscope.com/andrew)

# Product Specifications

540EZNMV2



## Environmental Specifications

---

Operating Temperature	-55 °C to +85 °C (-67 °F to +185 °F)
Storage Temperature	-55 °C to +85 °C (-67 °F to +185 °F)
Immersion Depth	1 m
Immersion Test Mating	Mated
Immersion Test Method	IEC 60529:2001, IP68
Water Jetting Test Mating	Mated
Water Jetting Test Method	IEC 60529:2001, IP66
Moisture Resistance Test Method	MIL-STD-202F, Method 106F
Mechanical Shock Test Method	MIL-STD-202, Method 213, Test Condition I
Thermal Shock Test Method	MIL-STD-202F, Method 107G, Test Condition A-1, Low Temperature -55 °C
Vibration Test Method	IEC 60068-2-6
Corrosion Test Method	MIL-STD-1344A, Method 1001.1, Test Condition A

## Standard Conditions

---

Attenuation, Ambient Temperature	20 °C   68 °F
Average Power, Ambient Temperature	40 °C   104 °F

## Return Loss/VSWR

---

Frequency Band	VSWR	Return Loss (dB)
50–1000 MHz	1.02	38.00
1000–1900 MHz	1.03	35.00
1900–2200 MHz	1.04	34.00
2200–2700 MHz	1.07	29.00
2700–3600 MHz	1.11	26.00
3600–6000 MHz	1.20	21.00
6000–8000 MHz	1.22	20.00

## \* Footnotes

---

Immersion Depth	Immersion at specified depth for 24 hours
Insertion Loss, typical	$0.05\sqrt{\text{freq (GHz)}}$ (not applicable for elliptical waveguide)