



Andrew Solutions
F1TDF
7-16 DIN Female for 1/4 in FSJ1-50A cable

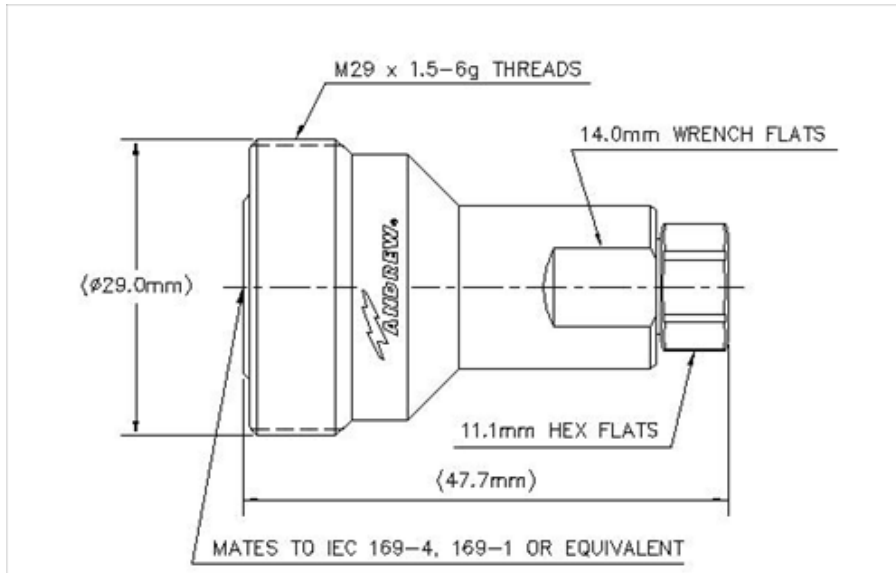
General Specifications

Interface	7-16 DIN Female
Body Style	Straight
Brand	HELIAX®
Mounting Angle	Straight

Electrical Specifications

Connector Impedance	50 ohm
Operating Frequency Band	0 – 6000 MHz
Cable Impedance	50 ohm
3rd Order IMD, typical	-112 dBm @ 910 MHz
3rd Order IMD Test Method	Two +43 dBm carriers
RF Operating Voltage, maximum (vrms)	565.00 V
dc Test Voltage	1600 V
Outer Contact Resistance, maximum	1.50 mOhm
Inner Contact Resistance, maximum	0.40 mOhm
Insulation Resistance, minimum	10000 MOhm
Average Power	0.4 kW @ 900 MHz
Peak Power, maximum	6.40 kW
Shielding Effectiveness	-110 dB

Outline Drawing



Mechanical Specifications

Outer Contact Attachment Method	Self-clamping
Inner Contact Attachment Method	Solder
Outer Contact Plating	Trimetal
Inner Contact Plating	Silver
Interface Durability	500 cycles
Interface Durability Method	IEC 61169-4:17
Connector Retention Tensile Force	450 N 101 lbf
Connector Retention Torque	1.40 N-m 1.03 ft lb
Insertion Force	889.64 N 200.00 lbf
Insertion Force Method	IEC 61169-16:9.3.5
Pressurizable	No
Coupling Nut Proof Torque	25.00 N-m 18.44 ft lb
Coupling Nut Proof Torque Method	IEC 61169-16:9.3.11
Coupling Nut Retention Force	1000.00 N 224.81 lbf
Coupling Nut Retention Force Method	IEC 61169-17:9.3.11

Dimensions

Nominal Size	1/4 in
Diameter	28.96 mm 1.14 in
Height	28.96 mm 1.14 in
Length	47.67 mm 1.88 in
Weight	92.00 g 0.20 lb
Width	28.96 mm 1.14 in

FITDF



Environmental Specifications

Operating Temperature	-55 °C to +85 °C (-67 °F to +185 °F)
Storage Temperature	-65 °C to +125 °C (-85 °F to +257 °F)
Moisture Resistance Test Method	IEC 60068-2-3
Mechanical Shock Test Method	IEC 60068-2-27
Thermal Shock Test Method	IEC 60068-2-14
Vibration Test Method	IEC 60068-2-6
Corrosion Test Method	IEC 60068-2-11

Standard Conditions

Attenuation, Ambient Temperature	20 °C 68 °F
Average Power, Ambient Temperature	40 °C 104 °F
Average Power, Inner Conductor Temperature	100 °C 212 °F

Return Loss/VSWR

Frequency Band	VSWR	Return Loss (dB)
824-2700 MHz	1.05	32.00

Regulatory Compliance/Certifications

Agency	Classification
RoHS 2011/65/EU	Compliant by Exemption
China RoHS SJ/T 11364-2006	Above Maximum Concentration Value (MCV)
ISO 9001:2008	Designed, manufactured and/or distributed under this quality management system

