

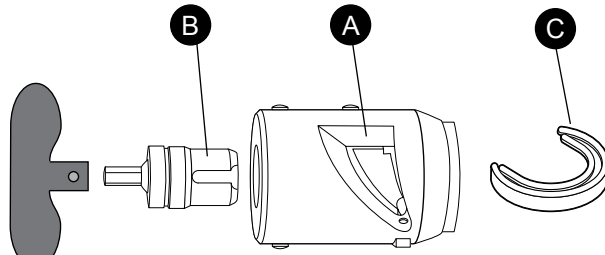
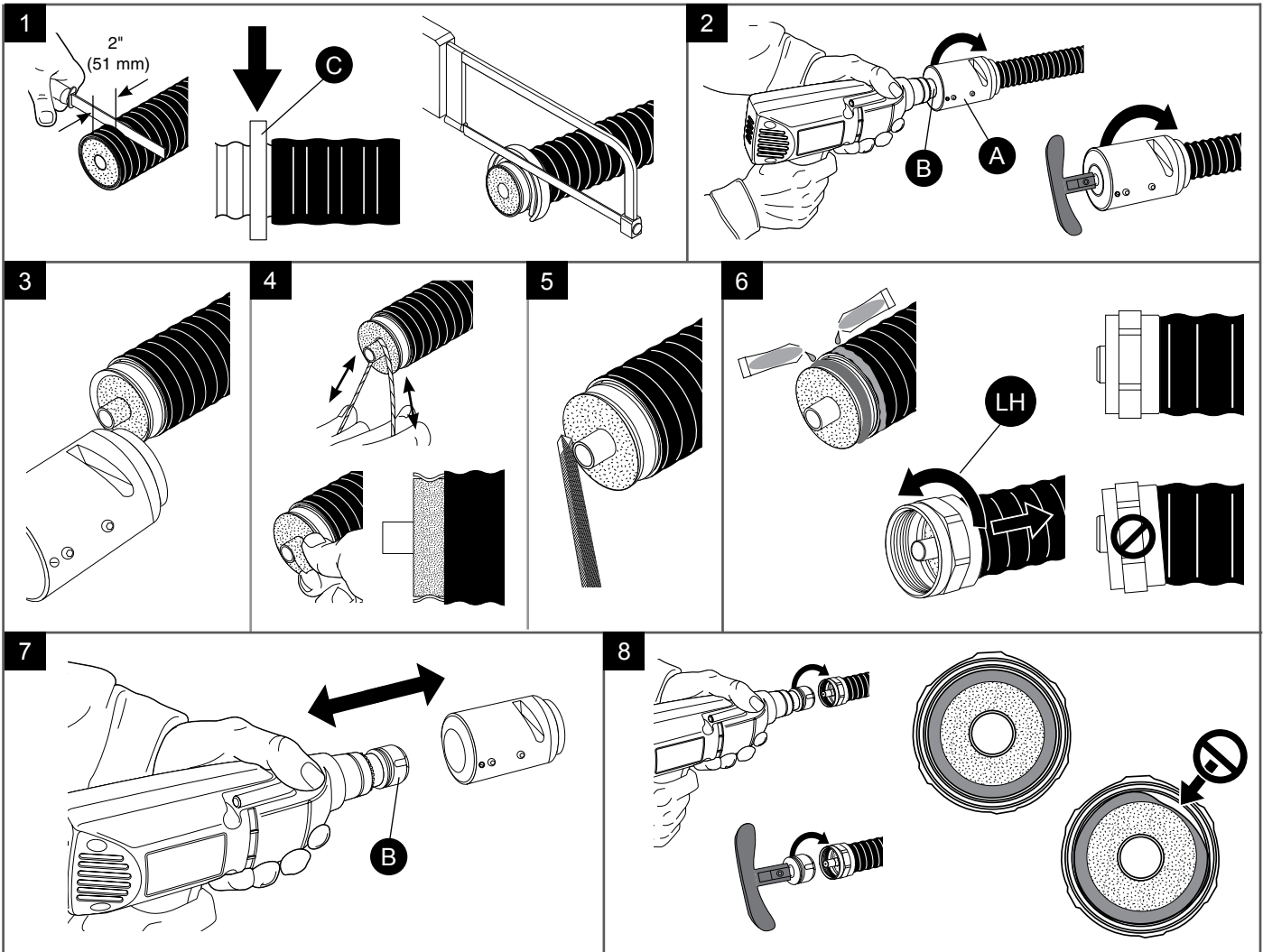
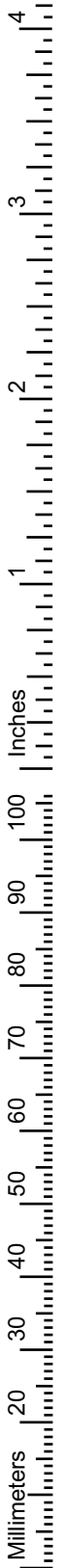
# Installation Instructions

## Drill Cable Preparation Tools - EZPT Series

for Corrugated Cables: LDF4-50A, AVA5-50, AVA6-50, AVA7-50  
and EZFit® Series Connectors

Andrew Institute offers installation training.

Preparation Tool		Replacement Saw Guides for corrugated cables:		
Cable Size	Part Number	Cable	Part Number	Description
1/2"	L4-EZPT	LDF4-50A	L4-SG	Saw guide for cable, kit of 10
7/8"	A5-EZPT	AVA5-50	A5-SG	Saw guide for cable, kit of 10
1 1/4"	A6-EZPT	AVA6-50	A6-SG	Saw guide for cable, kit of 10
1 5/8"	A7-EZPT	AVA7-50	A7-SG	Saw guide for cable, kit of 10

### Andrew Wireless Solutions

www.commscope.com

#### Customer Service 24 hours

U.S.A., Canada, Mexico:  
1-800-255-1479 HELIAX products  
1-888-235-5732 ExtremeFlex products  
U.K.: 0800 250055  
Other Europe: +44 592 782 612

Visit our Web site at [www.commscope.com](http://www.commscope.com) or contact your local Andrew Wireless Solutions representative for more information.

© 2008 CommScope, Inc. All rights reserved.  
Andrew Wireless Solutions is a trademark of CommScope. All trademarks identified by ® or ™ are registered trademarks or trademarks, respectively, of CommScope. This document is for planning purposes only and is not intended to modify or supplement any specifications or warranties relating to Andrew Wireless Solutions products or services.

Notice: Andrew disclaims any liability or responsibility for the results of improper or unsafe installation, inspection, maintenance, or removal practices.

Aviso: Andrews no acepta ninguna obligación ni responsabilidad como resultado de prácticas incorrectas o peligrosas de instalación, inspección, mantenimiento o retiro.

Avis: Andrew décline toute responsabilité pour les conséquences de procédures d'installation, d'inspection, d'entretien ou de retrait incorrectes ou dangereuses.

Hinweis: Andrew lehnt jede Haftung oder Verantwortung für Schäden ab, die aufgrund unsachgemäßer Installation, Überprüfung, Wartung oder Demontage auftreten.

Atenção: A Andrew abdica do direito de toda responsabilidade pelos resultados de práticas inadequadas e sem segurança de instalação, inspeção, manutenção ou remoção.

Avvertenza: Andrew declina eventuali responsabilità derivanti dall'esecuzione di procedure di installazione, ispezione, manutenzione e smontaggio improprie o poco sicure.

注意: Andrew 公司申明對於不恰當或不安全的安裝、檢驗、維修或拆卸操作所導致的後果不負任何義務和責任