



RDL[®]
Radio Design Labs

SPECIALISTS IN PRACTICAL PRECISION ENGINEERING™

STICK-ON[®] SERIES

Model ST-FS6

Ferrite Suppression Module

ANYWHERE YOU NEED...

- RF Suppression in Audio or Control Circuits
- Suppression with no Capacitance to Ground
- Suppression without Series Resistance
- Six Audio Conductors Suppressed
- Attenuation >10 dB @ 10 MHz
- Attenuation >25 dB @ 200 MHz

You Need The ST-FS6!



The ST-FS6 is part of the group of versatile STICK-ON products from Radio Design Labs. STICK-ONS feature the advanced circuitry for which RDL products are known, combined with unequalled versatility in mounting possibilities. The durable adhesives provided with the ST-FS6 permit permanent or removable mounting. Numerous available mounting accessories, brackets and rack-mount chassis are optionally available to facilitate any system design.

FUNCTIONAL DESCRIPTION: The ST-FS6 module is a passive device with 6 identical channels. All inputs are fed through a series of ferrite RF suppressors to their respective outputs. All channels are isolated from each other so that any connection scheme may be used to suit an installation.

TYPICAL APPLICATION: The ST-FS6 is used in applications where an excessive RF level is induced in the audio cables producing audio interference in the system. It is not necessary to use all 6 input/output channels, and wiring configurations may vary according to the application. For example, inputs 1 and 2 may be used to suppress a single pair while the shield for that pair is connected to ground. In other installations, it may be desired to also ferrite suppress the shield. In this instance, 1 and 2 may be used for signal and input 3 used for the shield. The ST-FS6 may be used with shielded or unshielded audio cables. With shielded cables, the best RF suppression is often achieved by suppressing the signal conductors while tying the shield to ground (either earth or rack). For such installations, the ST-FS6 provides two ground screw terminals for shield connection. These two terminals are not internally connected in the module. They serve as a tie point for connecting shields to ground. These terminals are not used when unshielded cable is being suppressed.



STICK-ON[®] SERIES

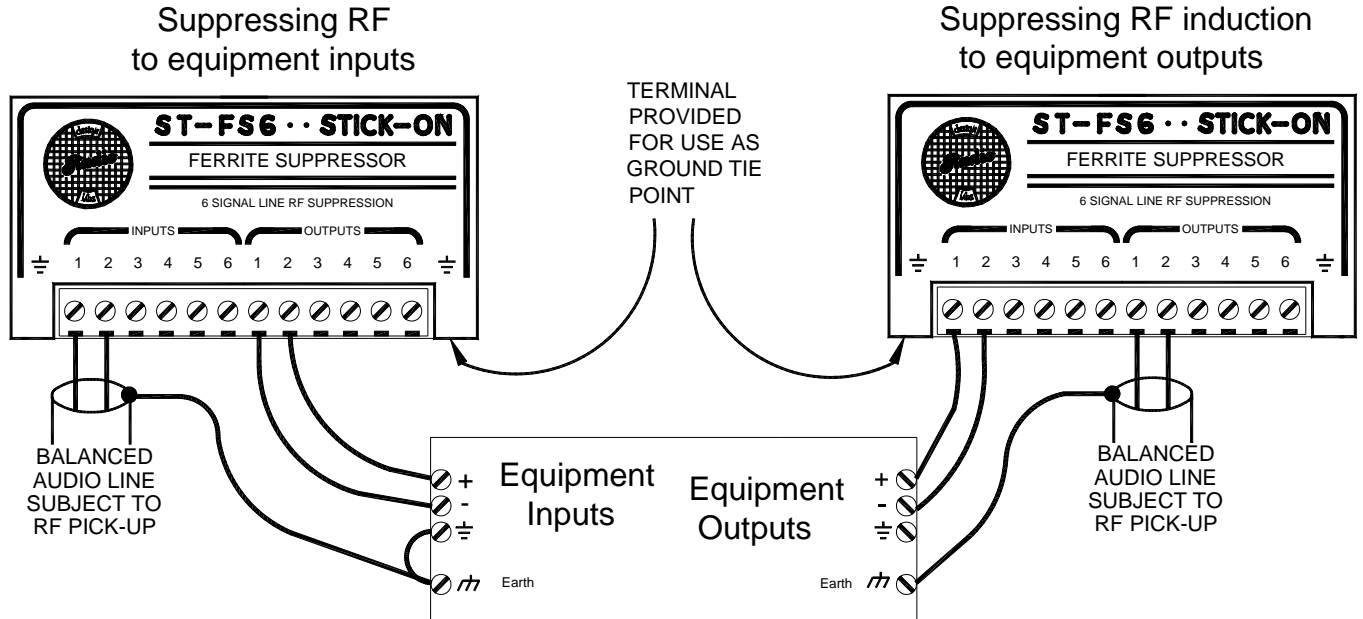
Model ST-FS6

Ferrite Suppressor Module

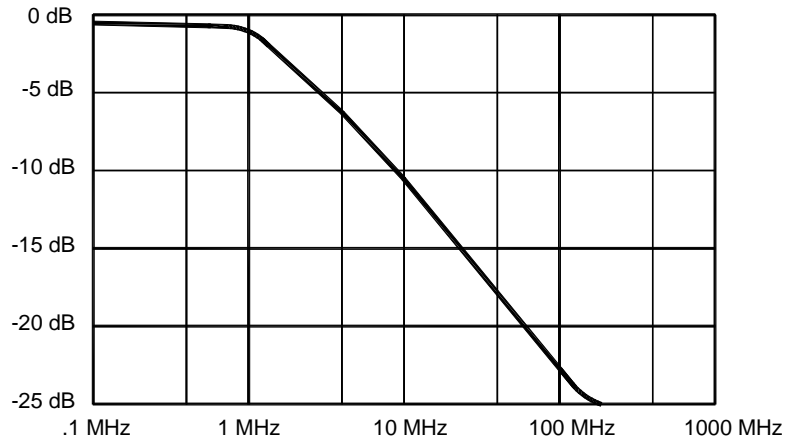
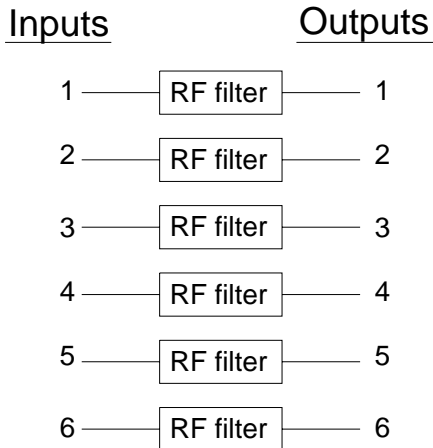
Installation/Operation



EN55103-1 E1-E5; EN55103-2 E1-E4
Typical Performance reflects product at publication time exclusive of EMC data, if any, supplied with product. Specifications are subject to change without notice.



Functional Diagram



ATTENUATION VS. FREQUENCY

150 Ω Source; 600 Ω Load

- Notes: 1) Follow equipment manufacture recommendations for external rf suppression.
2) Shield may also route through ST-FS6 if needed.
3) Each of 6 I/O terminals may be used independently for Audio, dc power or logic signal

Radio Design Labs Technical Support Centers

U.S.A. (800) 933-1780, (928) 778-3554; Fax: (928) 778-3506

Europe [NH Amsterdam] (+31) 20-6238 983; Fax: (+31) 20-6225-287